

6

5

4

3

2

1

D

D

C

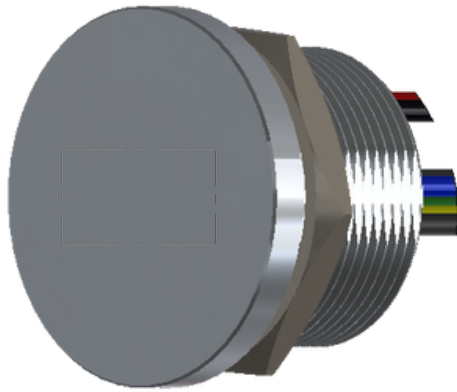
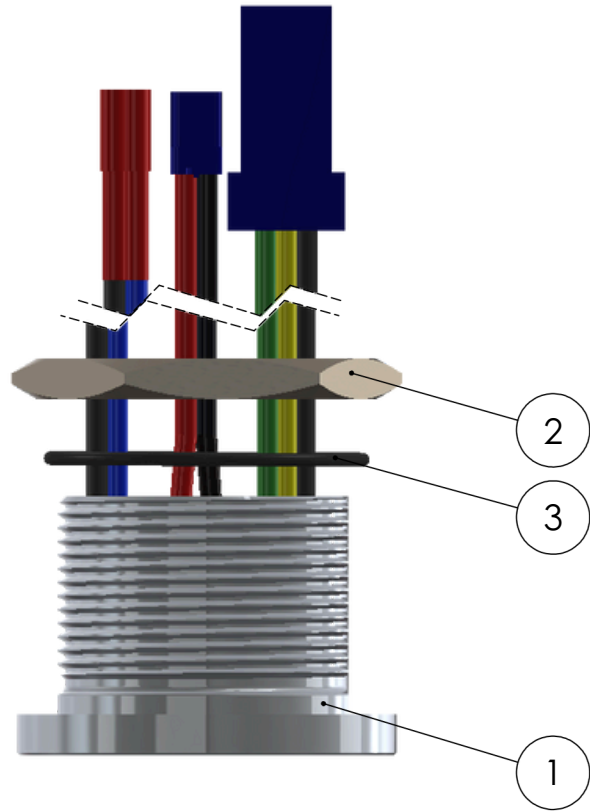
C

B

B

A

A

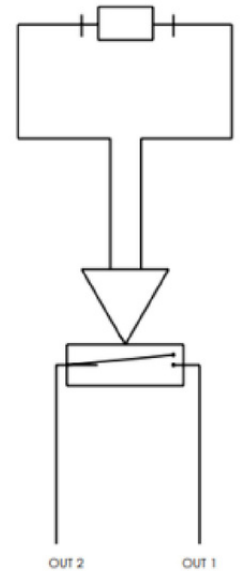


SPECIFICATIONS:
 MATERIAL: ALUMINIUM 6061 T651
 ANODIZE COLOR: NATURAL
 ANODIZE THICKNESS: 17-19 μ

SWITCHING CURRENT: 1A
 ACTUATION FORCE: 1N+, programmable
 OPERATING AND STORAGE TEMP: -40 TO +75°C

COLOR	FUNCTION	E - FUNCTION
RED	INPUT	6-24V C
BLACK	INPUT	GND
BLUE	OUTPUT	SOLENOID OUTPUT (+)
BLACK	OUTPUT	SOLENOID OUTPUT (-)
GREEN	TX	BAUD RATE 115200
YELLOW	RX	BAUD RATE 115200
BLACK	GND	GND

SWITCH



ITEM NO.	PART NUMBER	DESCRIPTION	QTY.
1	40000087	HOUSING, ALUMINIUM 6061 T651	1
2	20010009	M22x1 Hex Nut BRASS (NI COATED)	1
3	20010008	O-RING, NBR,22X1	1

	NAME	DATE
DRAWN:	Yonatan	25/11/2024
CHK'D:		
Approval by:	CTO	25/11/2024
QUANTITY:		
WEIGHT:		
VERSION:	V2	

TITLE:
PTF22-PDC
DESCRIPTION:
M22x1, H-28mm
SCALE:1.8:1
SHEET 1 OF 2



FINISH: N7/

TOLERANCE ± 0.1

PART NUMBER:
90000147

MATERIAL:
ALUMINIUM 6061 T651

DESCRIPTION:
M22x1, H-28mm

A4

6

5

4

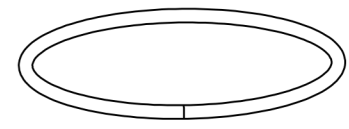
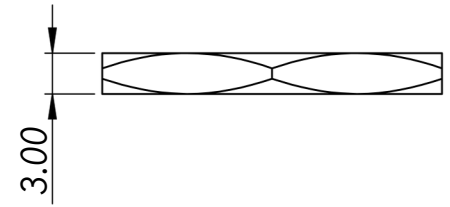
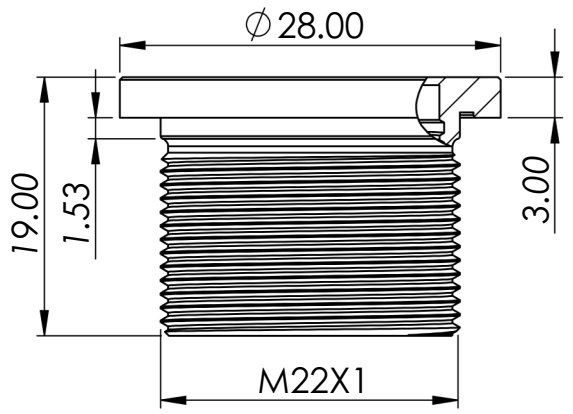
3

2

1

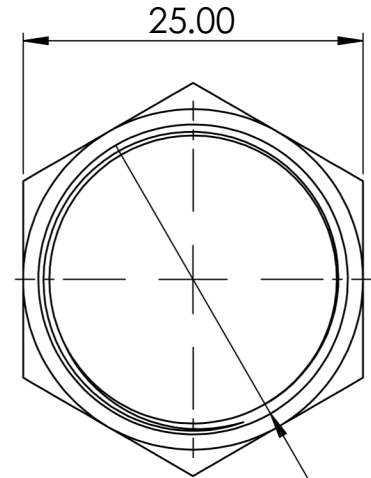
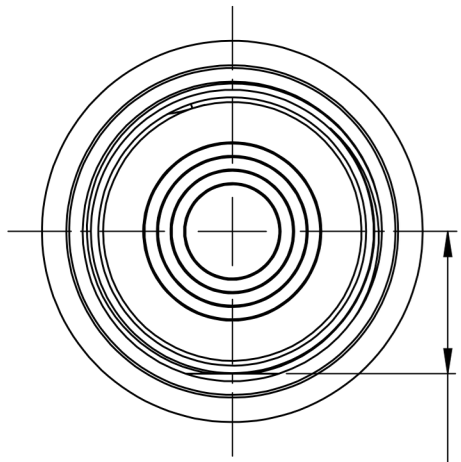
6 5 4 3 2 1

D



O-RING:
 OD - 24mm
 ID - 22mm
 t - 1mm

C



0.00
 10.45 -0.05 D-Type

M22X1

D

C

B

B

A

A



FINISH: N7/
TOLERANCE ±0.1

PART NUMBER:
 90000147
 MATERIAL:
 ALUMINIUM 6061 T651

	NAME	DATE
DRAWN:	Yonatan	25/11/2024
CHK'D:		
Approval by:	CTO	25/11/2024
QUANTITY:		
WEIGHT:		
VERSION:	V2	

TITLE: PTF22-PDC	
DESCRIPTION: M22x1, H-28mm	A4
SCALE:1.8:1	SHEET 2 OF 2

6 5 4 3 2 1